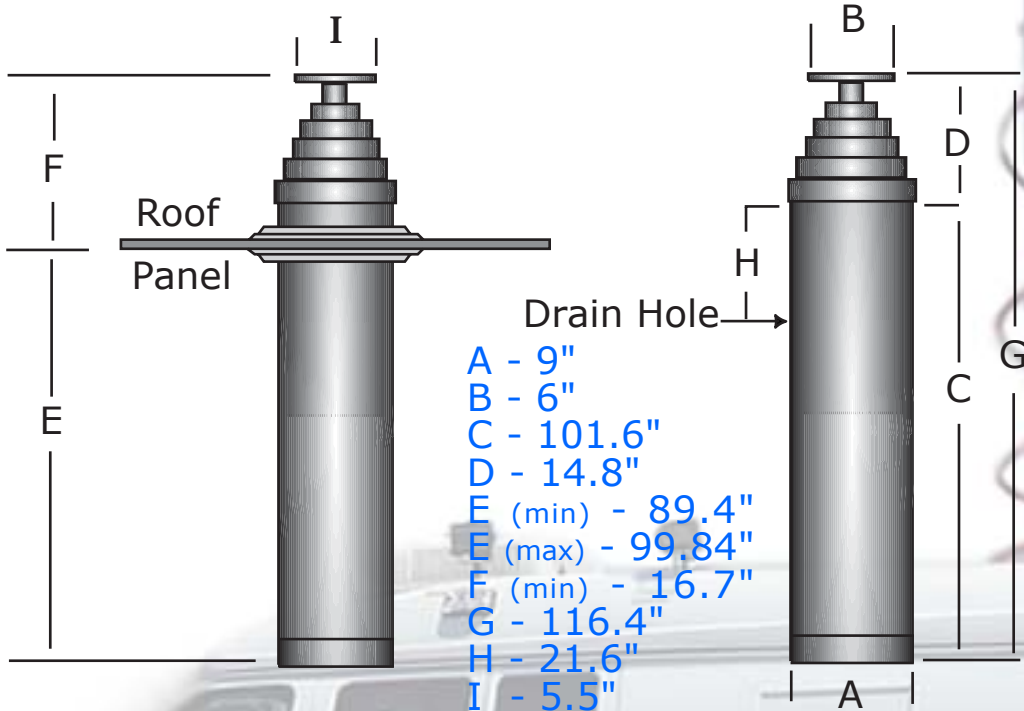




### Specification

- 56' Extended Height
- 9.7' Retracted Height
- 8 Sections
- 4" Diameter Top Section
- 200 lbs Vertical Head load
- Basic Mast Weight of 330 lbs
- Base Diameter of 9"
- Anodized Finish
- Drain Holes
- Quick Release Pinned Top Spigot
- Complete With Roof Bearing and Mag Switch
- 49 mph Unguyed Wind Speed with 12 Sq ft Surface Area



### Benefits & Advantages

- No Metal-to-Metal Contact, Reduces Wear & Failure Rate
- Drawn Pneumatic Quality Tube, Extends Seal Life
- Interchangeable With Competitors Product
- Split Roof Bearing Design, for Ease Of Fitting
- USA Service Centers Offer Local Support
- Regular Delivery from Stock
- One Piece Molded Seal for Improved Performance
- Reduced Frequency and Low cost of Service & Maintenance

All dims are approximate

## BR56 Spec Sheet

### Hilomast LLC

647 Progress Way Sanford  
 Florida, FL32771, USA  
 TEL/FAX: +1 (407) 688 2806  
 Email: sales@hilomast-usa.com  
 Website: www.hilomast-usa.com